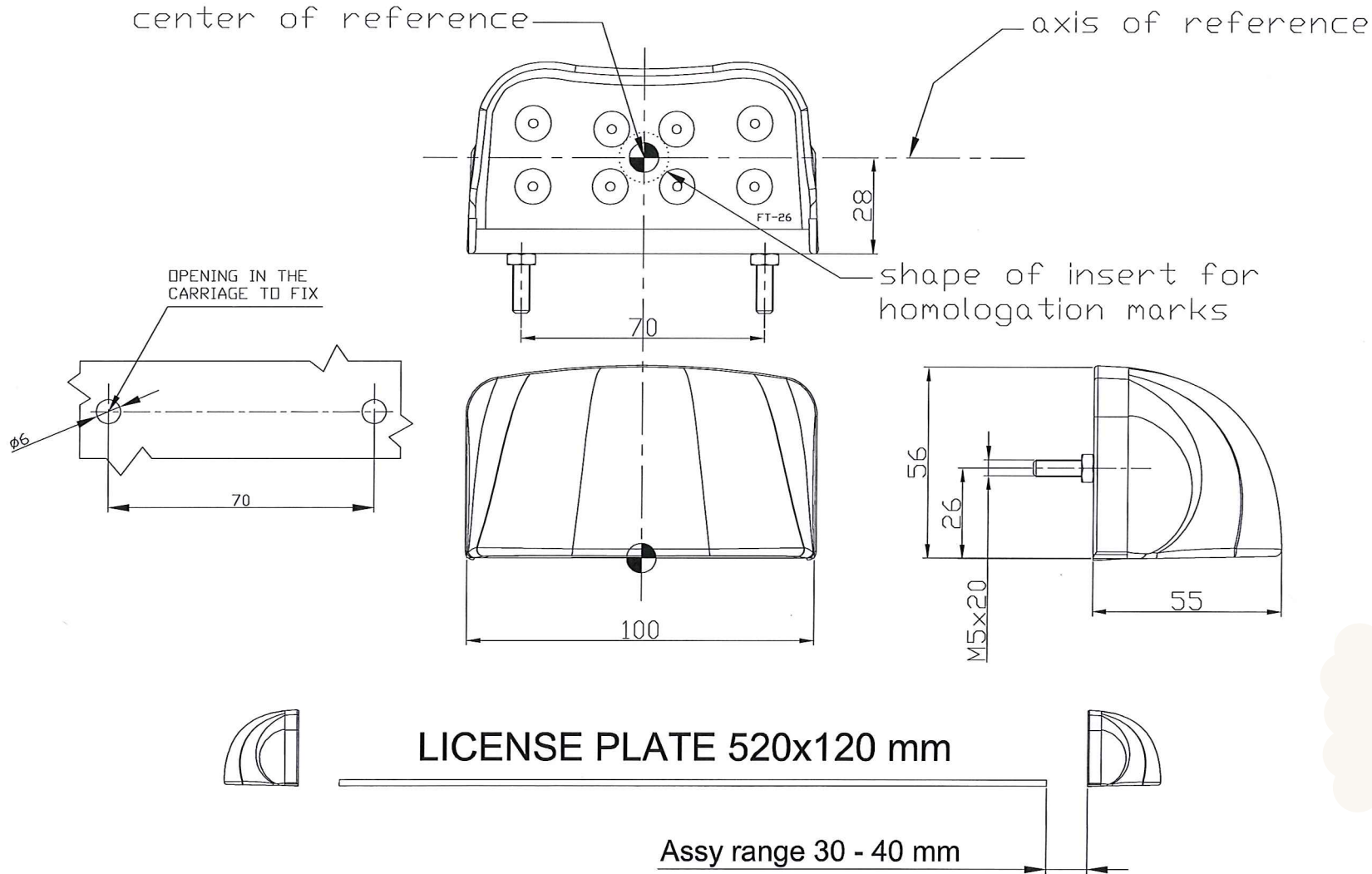


LICENSE PLATE LIGHT FT-26

Side marking lamp - lens colour red and white
LIGHT SOURCE LED SMD mounted (8pcs)- Voltage 12-30 V / any polarisation possible



Material used in manufacturing :

- housing part - ABS
- bottom housing - ABS
- lens - PMMA
- reflector ABS vacuum metalized
- circuit plate - epoxyd resin
- LED white (smd type)
- connectors - sheet metal (coated)
- flat cable 2x0,75 mm²

This drawing is a part of the application for approval